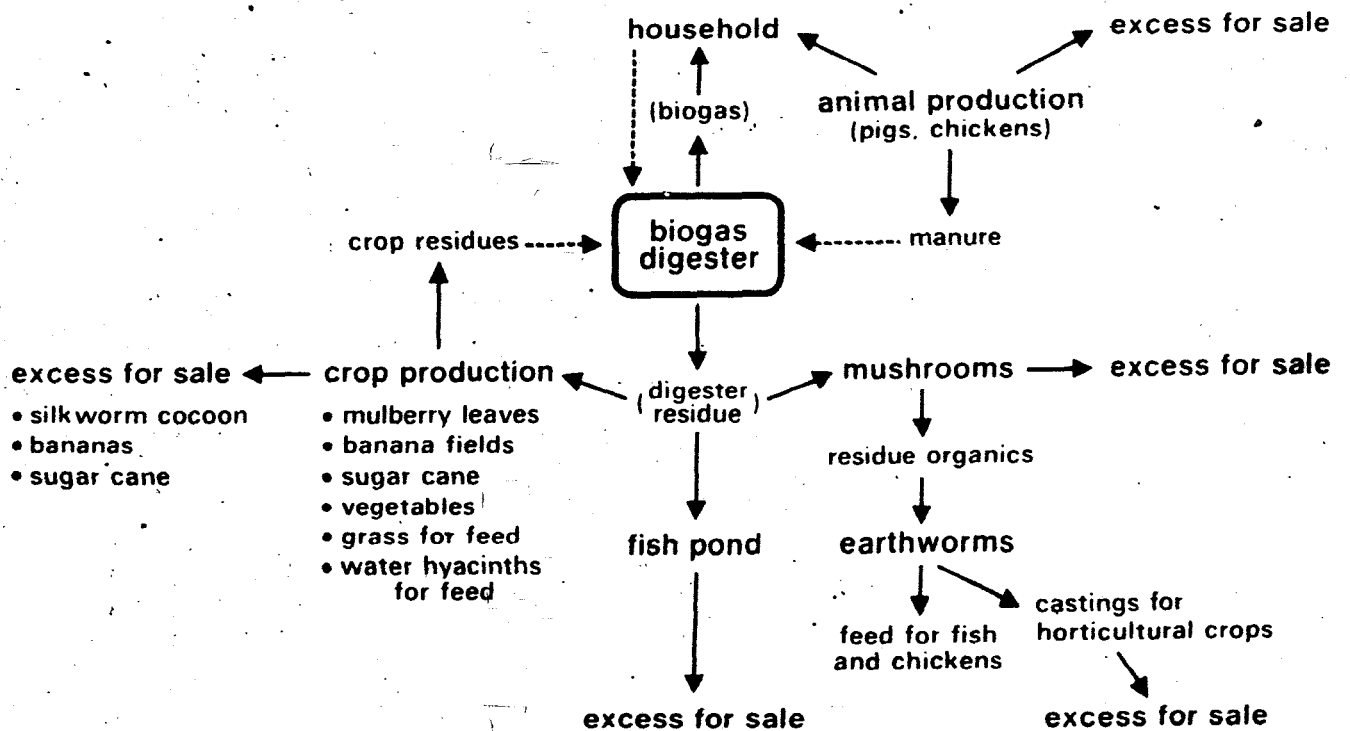
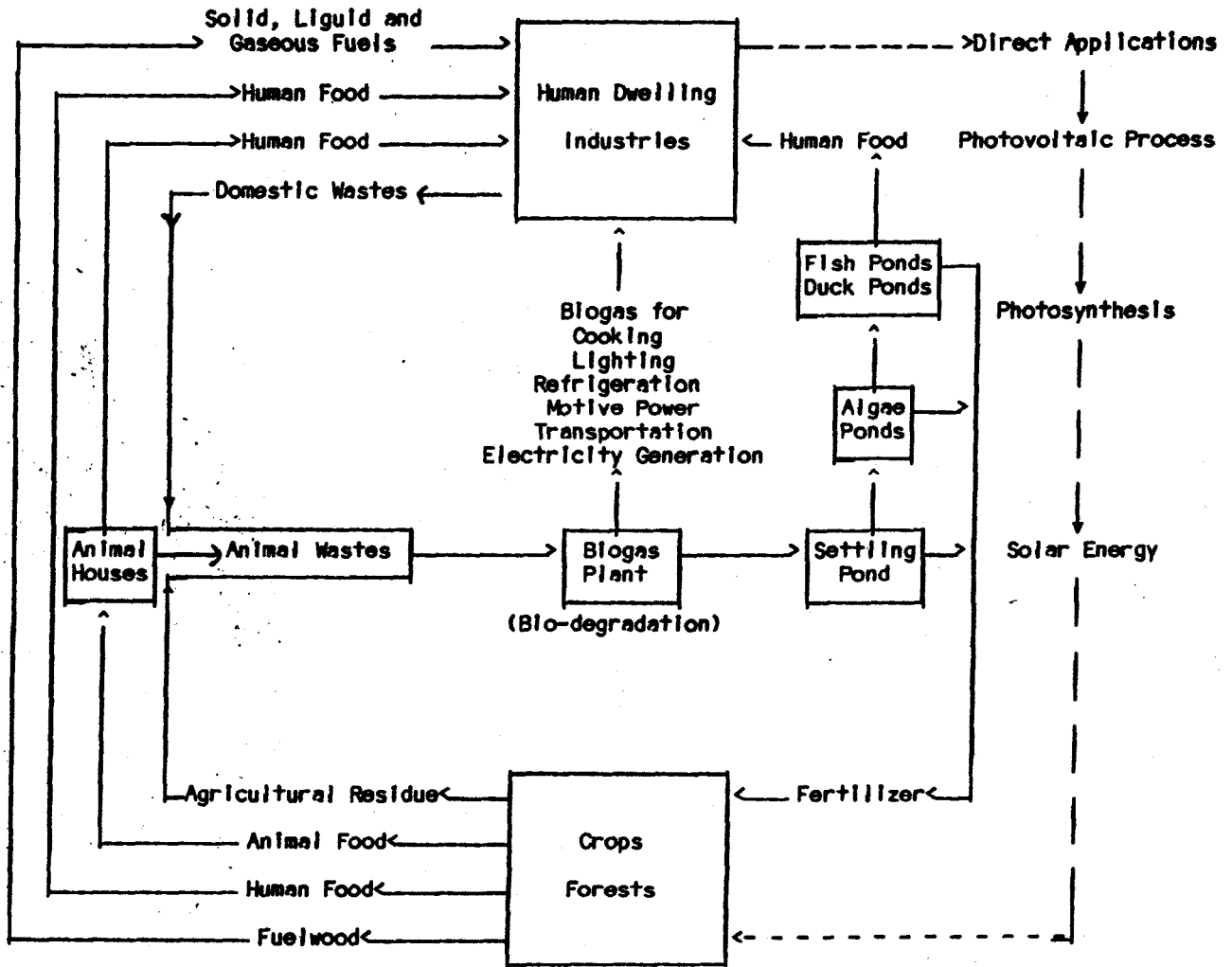


Components of the Integrated Bio-Energy System.



An integrated agricultural production system in which anaerobic treatment is a key component.